

### Delivery Panels

The DP3000 Series Delivery Panels are designed primarily for use with hazardous gases. They can also be used to maintain a high level of purity. The Delivery Panels can be designed in five different configurations each of them having a specific purpose depending upon your application. The panel component specifications are as follows:

#### Valves

- Diaphragm Valves (Brass or Stainless Steel)
- Ball Valves (Brass or Stainless Steel)

#### Check Valves

- Brass or Stainless Steel

#### Pressure Regulator

- Barstock Body (Brass or Stainless Steel) with Stainless Steel Diaphragm

#### Mounting Plate

- Powder Coated Steel or Aluminum

#### Tubing

- 316 Stainless Steel or High Purity Copper

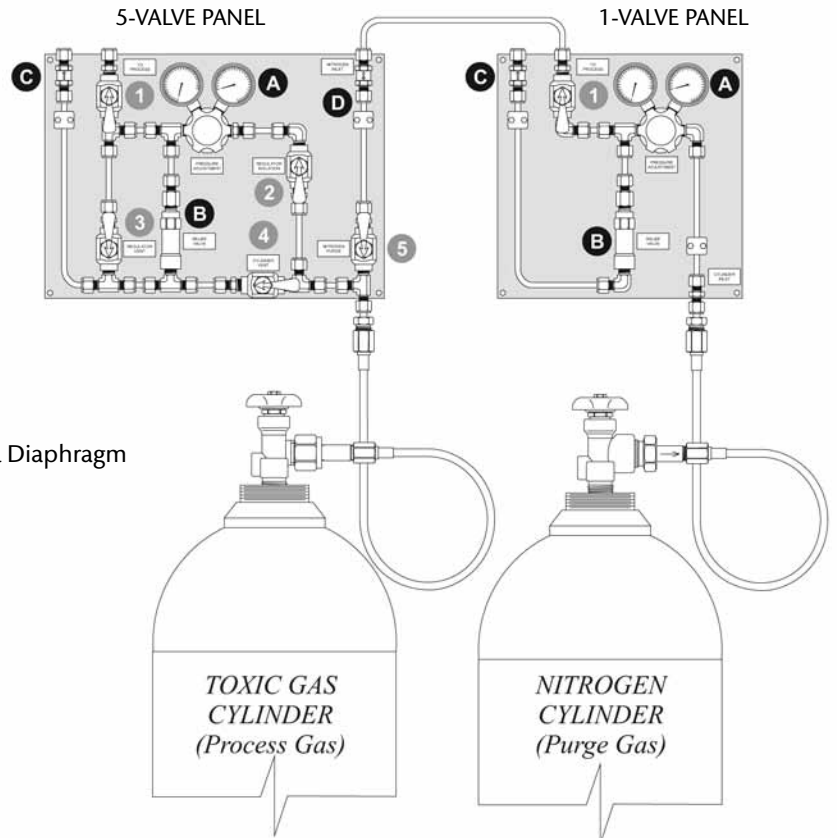
#### Fittings

- Brass or 316 Stainless Steel

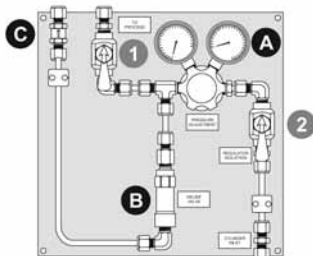
#### Cylinder Lead

- Rigid Pigtailed (316 Stainless Steel or Copper)
- Flexible Hoses (Teflon or Nylon Core)

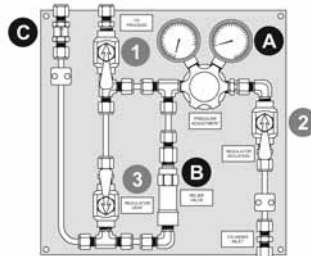
Use of these Delivery Panels with a Beacon provides a high level of safety required when handling corrosive, flammable or toxic gases.



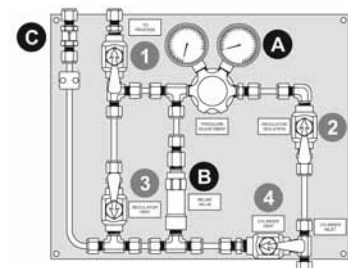
2-VALVE PANEL



3-VALVE PANEL



4-VALVE PANEL



#### VALVES

1. PROCESS ISOLATION VALVE (OUTLET VALVE)
2. CYLINDER ISOLATION VALVE (INLET VALVE)
3. REGULATOR VENT VALVE
4. CYLINDER VENT VALVE
5. NITROGEN PURGE VALVE

#### OTHER VALVES

- A. PRESSURE REDUCING REGULATOR
- B. PRESSURE RELIEF VALVE
- C. VENT OUTLET CHECK VALVE
- D. NITROGEN PURGE CHECK VALVE